

ELECTRONICS & DEFENSE



10, 20 & 30MS56 SERIES

RATE GYRO UNITS

- Solid state vibrating gyroscope
- Best noise performance
- Robust & compact
- Flexible & reliable



10, 20 & 30MS56 series

Rate gyro units



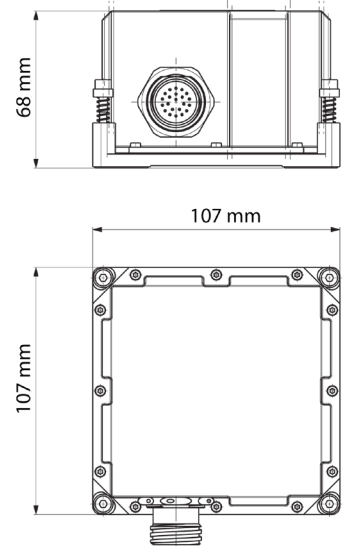
The unit integrates a rugged single axis solid state vibrating rate gyro, which takes benefits of the 60 years of Safran Electronics & Defense's experience in inertial systems.

The MS56 series is well adapted for civil and industrial applications which offers the best noise performance, very low bias stability and experienced robustness.

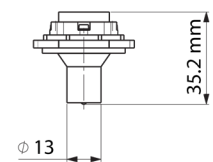
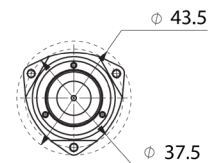
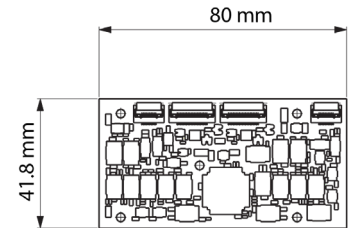
| PERFORMANCES | 10,20,30MS56 series |
|---|--------------------------------------|
| Number of Axes | 1, 2 or 3 |
| Rate range | Up to 300°/sec |
| Scale factor (Analog) | +/- 10 Vdc for +/- chosen full scale |
| Scale factor (Digital) | 16 bits ADC 1.52 E-7 V/LSB |
| Scale factor accuracy | +/- 1% (-40°C to +85°C) |
| Bias stability (constant temp. -1 hour) | <10 deg/h rms |
| Bias | <300°/h rms (-40°C to +85°C) |
| Bandwidth | 200 Hz |
| Quiescent noise (0.1-100Hz) | <0.015 deg/sec rms |
| Noise under vibration (0.1 -100Hz) | <0.1 deg/s/g (12 g rms 0-2000Hz) |
| Run up time | 2 sec |
| Operating temperature | -40°C to +85°C |
| Shocks | 50g/11ms or 300g/2ms |
| Built in test | TTL output |
| Digital output | RS422 1kHz 115200 bauds |
| Power consumption | 2 Watts per axis |

Nota: 10MS00-56 power supply : +/-15Vdc & +5Vdc
10,20 or 30MS56 power supply : 18 to 32Vdc MIL STD 1275 and 461

10, 20 or 30MS56 rate gyro package
(1, 2 or 3 angular rate axis)



10MS00-56 rate gyro unit



Applications



- Aircraft flight controls
- Antenna & sonar stabilization
- Gyrostabilized gimbals & EOTS



- Unmanned aerial vehicles (UAV) control
- Autonomous underwater vehicles (AUV) control
- Automotive testing



- Naval & land remote weapon systems
- Sights, optical & infrared line of sights
- Ship anti-roll systems



- Tilting trains
- Robotics
- Etc.

Safran Electronics & Defense
Arcs de Seine - 18/20 quai du Point du Jour - 92659 Boulogne-Billancourt Cedex - France
Tel.: +33 1 55 60 39 31 - Fax: +33 1 55 60 38 95
safran-electronics-defense.com

